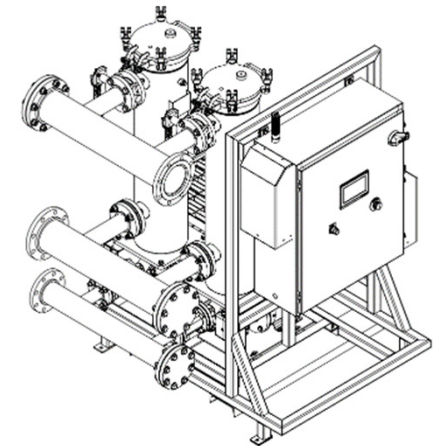
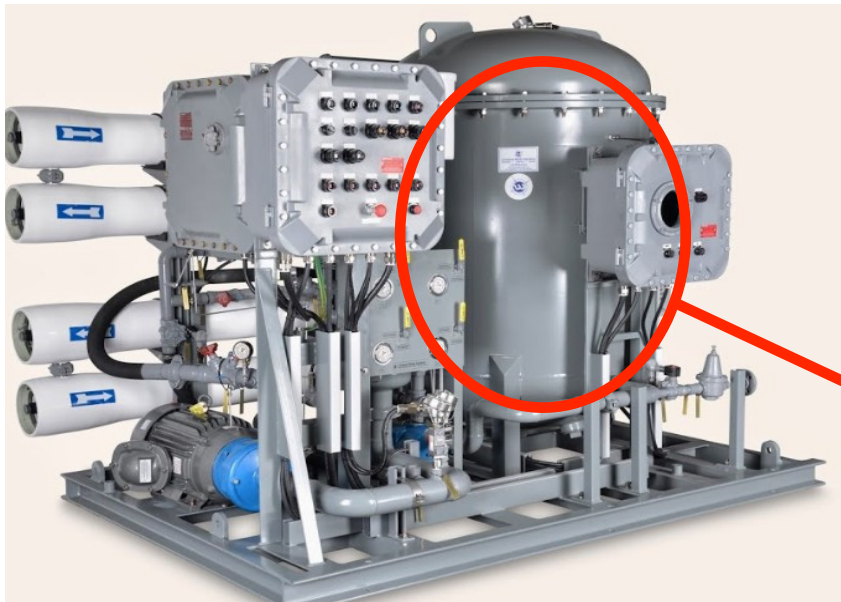




# Offshore/Shipboard Skids

## Sand Media Prefilter System



Or We Can Duplex  
For Higher Flow

- Smaller Skids
- Less Weight
- Higher Performance (shallow waters, algae zones, etc.)

